

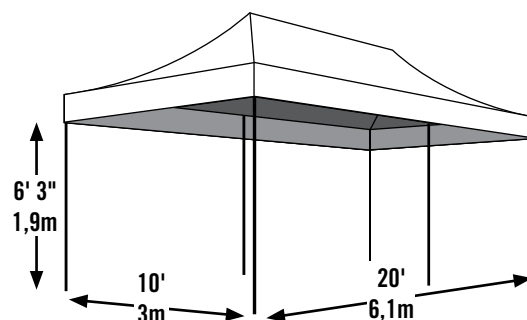
# Pro Series Pop-Up Canopy 2-in-1 Truss Top Pack 10 x 20 ft. / 3 x 6,1 m



## Pro Series Pop-Up + Enclosure Kit in 1!

- A Pop-Up and Enclosed Event Tent in 1. The new Pro Series 10 x 20 ft. / 3 x 6,1 m Triple Truss Top Pop-Up combines quality design, construction and good looks in one package.
- Sturdy beam welded tube steel design with high performance synthetic joint components is bonded with Dupont™ thermoset baked on powder coat. Prevents chipping, peeling, rust and corrosion.
- Wide based foot pads on every leg ensure a rock solid base and easy access to secure anchor points.
  - Four point height adjustable legs.
  - Polyester fabric cover is UV treated inside and out with added fade blockers, anti-aging, anti-fungal agents. Tough polyurethane coat lining is double stitched and sealed for optimal water resistance and drip-free seams.
  - Wheeled storage bag allows for convenient transport and storage of canopy.

**Great For:** vendor tents, classic car shows, decks, patios, backyard events, or sporting or special events.



## Model #22683

### Package Includes:

- (1) 10 x 20 ft / 3 x 6,1 m white collapsible steel frame
- (1) One-piece desert bronze polyester cover with full valance
- (1) One-piece, multi-zippered polyester fabric side wall unit
- (4) Temporary spike anchors
- Wheeled storage bag
- Easy step-by-step instructions

### Packaging Specifications:

- Container qty: 252
- Total weight: 117 lbs. / 53 kg
- Box dimensions:  
65 x 16.1 x 10.6 in.  
165 x 41 x 27 cm

